

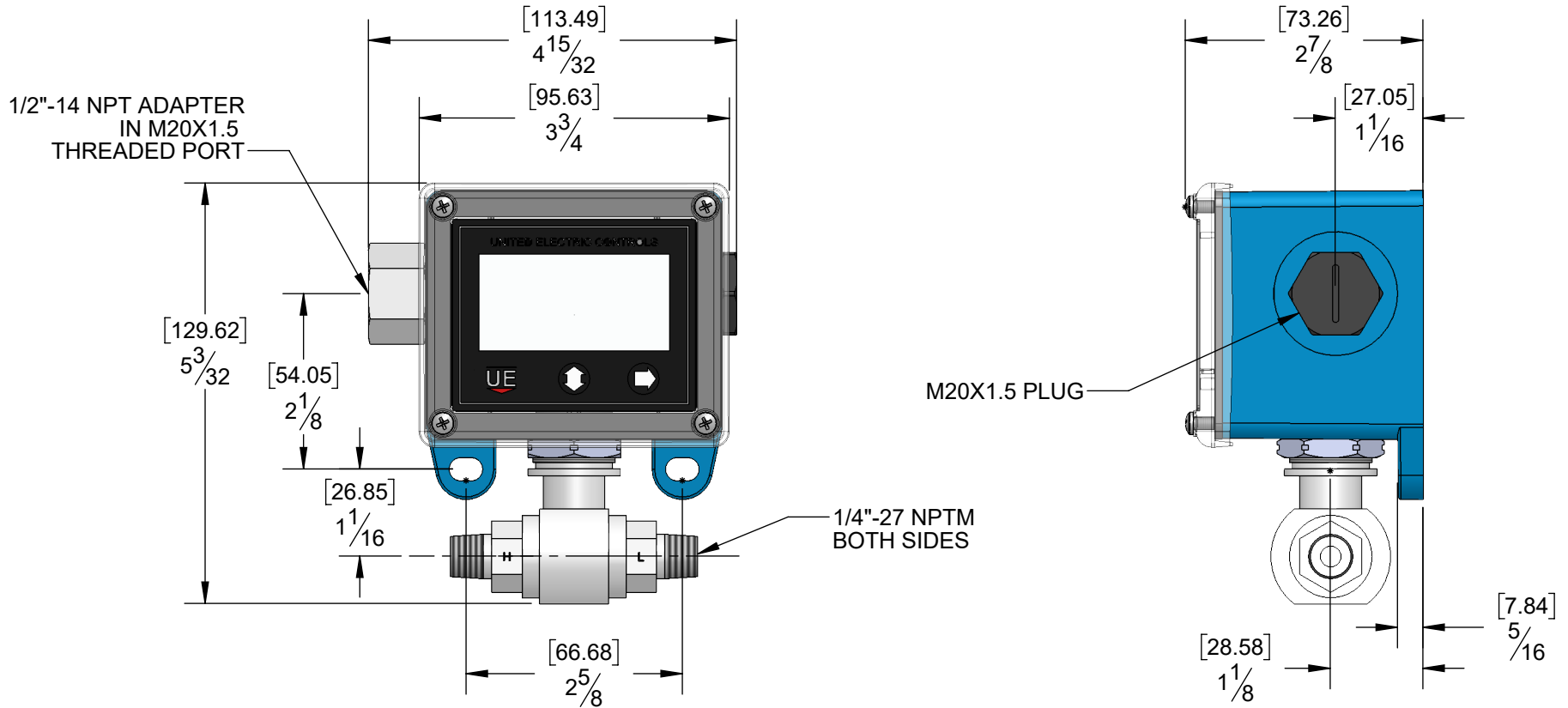
MODEL NO.	RANGE	
	psi	bar
P06	-14.7 to 30 psig	-1 to 2.068
P08	-14.7 to 100 psig	-1 to 6.895
P10	0 to 5 psig	0 to .3447
P11	0 to 15 psig	0 to 1.034
P12	0 to 30 psig	0 to 2.068
P13	0 to 50 psig	0 to 3.447
P14	0 to 100 psig	0 to 6.895
P15	0 to 300 psig	0 to 20.68
P16	0 to 500 psig	0 to 34.47
P17	0 to 1000 psig	0 to 68.95
P18	0 to 3000 psig	0 to 206.8
P19	0 to 4500 psig	0 to 310.3
P20	0 to 6000 psig	0 to 413.7

REFERENCE I&M SHEET IM_1GSW

THIS DOCUMENT IS PROPRIETARY PROPERTY OF UNITED ELECTRIC CONTROLS. UNAUTHORIZED USE IS STRICTLY PROHIBITED.

ORIGINAL APPROVALS	DATE	UNITED ELECTRIC CONTROLS <small>LEADERS IN SAFETY, ALARM & SHUTDOWN</small>	180 Dexter Avenue Watertown, MA. 02472 617-926-1000 www.ueonline.com
DRAWN BY: RCI	10/7/2020		
CHECKED BY: <i>SR</i>	10/30/2020		
APPROVED BY: <i>RCI</i>	10-30-2020		
THIRD ANGLE PROJECTION		TITLE: EXCELA, 1GSWLL PRESSURE	
UNLESS OTHERWISE SPECIFIED DIMENSIONS & TOLERANCES ARE IN INCHES (MM) INTERPRET PER ASME Y14.5M-2009 STANDARD TOLERANCES		SIZE	DRAWING NO.
DECIMALS X ± 0.03 XX ± 0.01 XXX ± 0.005	ANGLES ± 1/2° FRACTIONS ± 1/64	A	14100
		SCALE: 1:2	DO NOT SCALE THIS DRAWING
		SHEET 1 OF 2	

REV	ECN#	DESCRIPTION	DATE	DRWN	APPD
A	E6787	FIRST ISSUE	10-30-2020	RCI	<i>RCI</i>
REVISION HISTORY					



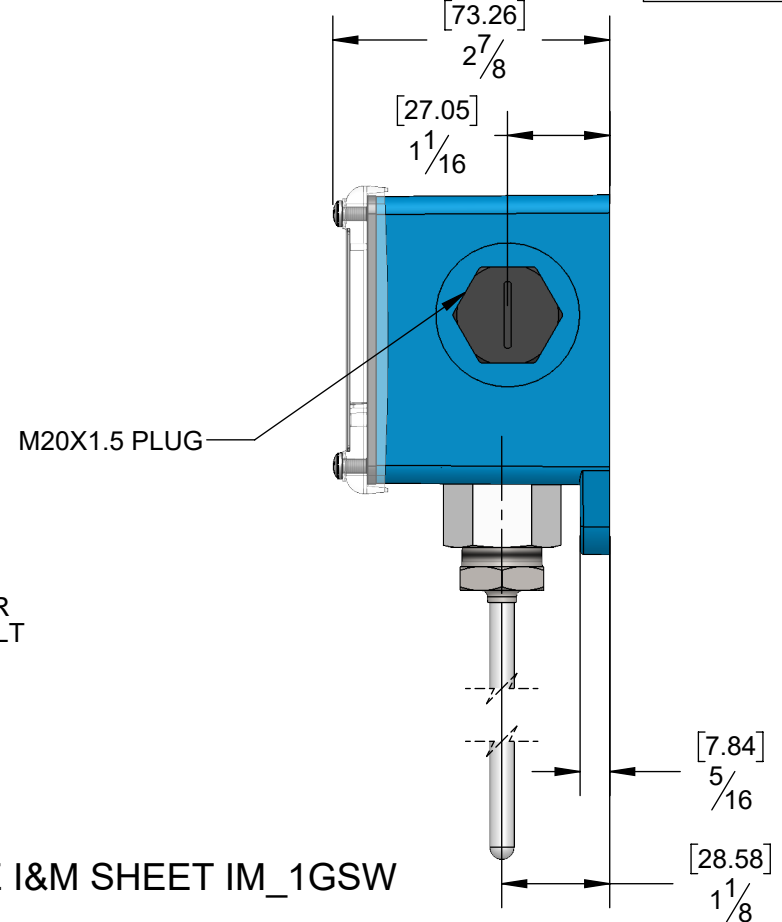
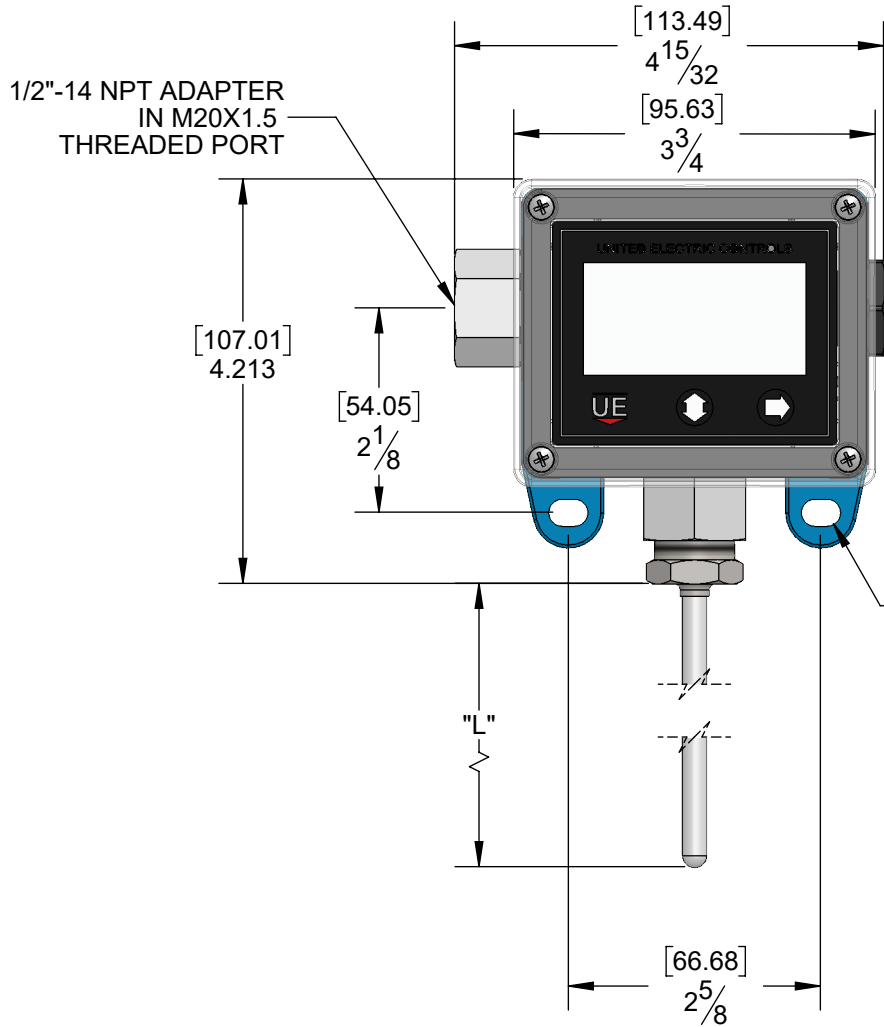
REFERENCE I&M SHEET IM_1GSW

MODEL NO.	RANGE	
	psi	bar
K10	0 to 5 psig	0 to .3447
K11	0 to 50 psig	0 to 3.447
K12	0 to 100 psig	0 to 6.895
K13	0 to 200 psig	0 to 13.8

THIS DOCUMENT IS PROPRIETARY PROPERTY OF UNITED ELECTRIC CONTROLS. UNAUTHORIZED USE IS STRICTLY PROHIBITED.

ORIGINAL APPROVALS	DATE	<p>UNITED ELECTRIC CONTROLS LEADERS IN SAFETY, ALARM & SHUTDOWN</p> <p>180 Dexter Avenue Watertown, MA. 02472 617-926-1000 www.ueonline.com</p>
DRAWN BY: RCI	10/6/2020	
CHECKED BY: <i>SR</i>	10/30/2020	
APPROVED BY: <i>RCI</i>	10-30-2020	
THIRD ANGLE PROJECTION		TITLE: EXCELA, 1GSWLL DIFF PRESSURE
<small>UNLESS OTHERWISE SPECIFIED DIMENSIONS & TOLERANCES ARE IN INCHES (MM) INTERPRET PER ASME Y14.5M-2009 STANDARD TOLERANCES</small>		SIZE: A DRAWING NO. 14101 REV A
DECIMALS: X ± 0.03 XX ± 0.01 XXX ± 0.005	ANGLES: ± 1/2° FRACTIONS: ± 1/64	SCALE: 1:2 DO NOT SCALE THIS DRAWING SHEET 1 OF 2

REV	ECN#	DESCRIPTION	DATE	DRWN	APPD
A	E6787	FIRST ISSUE	10-30-2020	RCI	<i>RCI</i>
REVISION HISTORY					



CLEARANCE FOR
1/4" [6.35mm] BOLT
2 MT'G HOLES

REFERENCE I&M SHEET IM_1GSW

MODEL NO.	SHEATH LENGTH "L"		RANGE	
	Inches	mm	°F	°C
TL1	4	101.6	-40 to 450	-40 to 232
TL2	6	152.4		
TL3	10	254		

THIS DOCUMENT IS PROPRIETARY PROPERTY OF UNITED ELECTRIC CONTROLS. UNAUTHORIZED USE IS STRICTLY PROHIBITED.

ORIGINAL APPROVALS	DATE
DRAWN BY: RCI	10/6/2020
CHECKED BY: SR	10/30/2020
APPROVED BY: RCI	10-30-2020

UE UNITED ELECTRIC CONTROLS
LEADERS IN SAFETY, ALARM & SHUTDOWN

180 Dexter Avenue
Watertown, MA. 02472
617-926-1000
www.ueonline.com

THIRD ANGLE PROJECTION

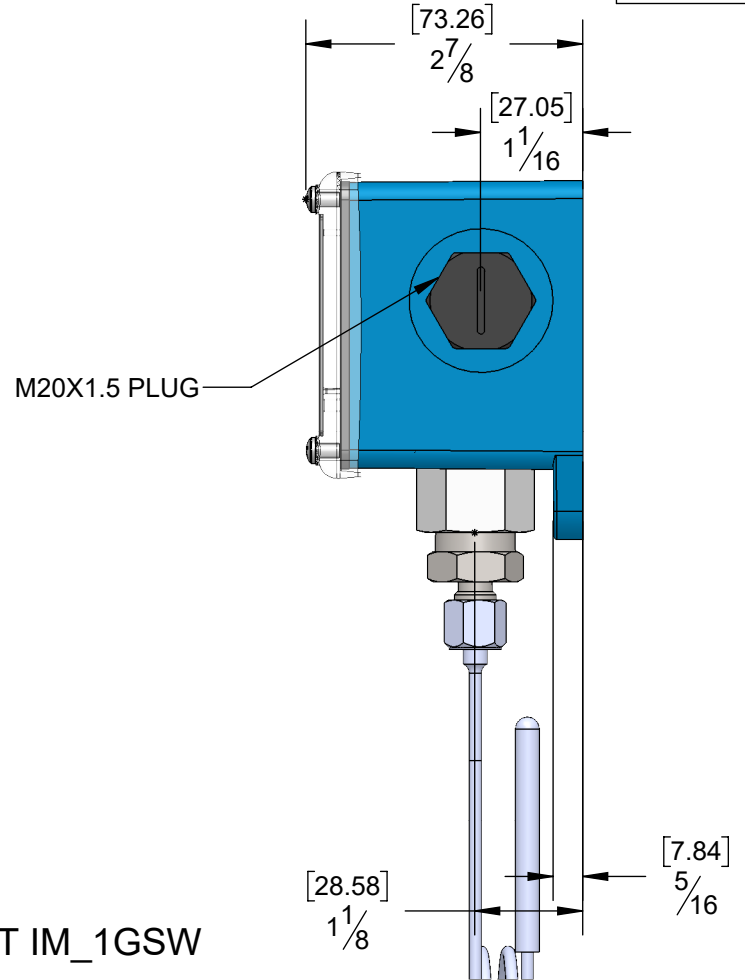
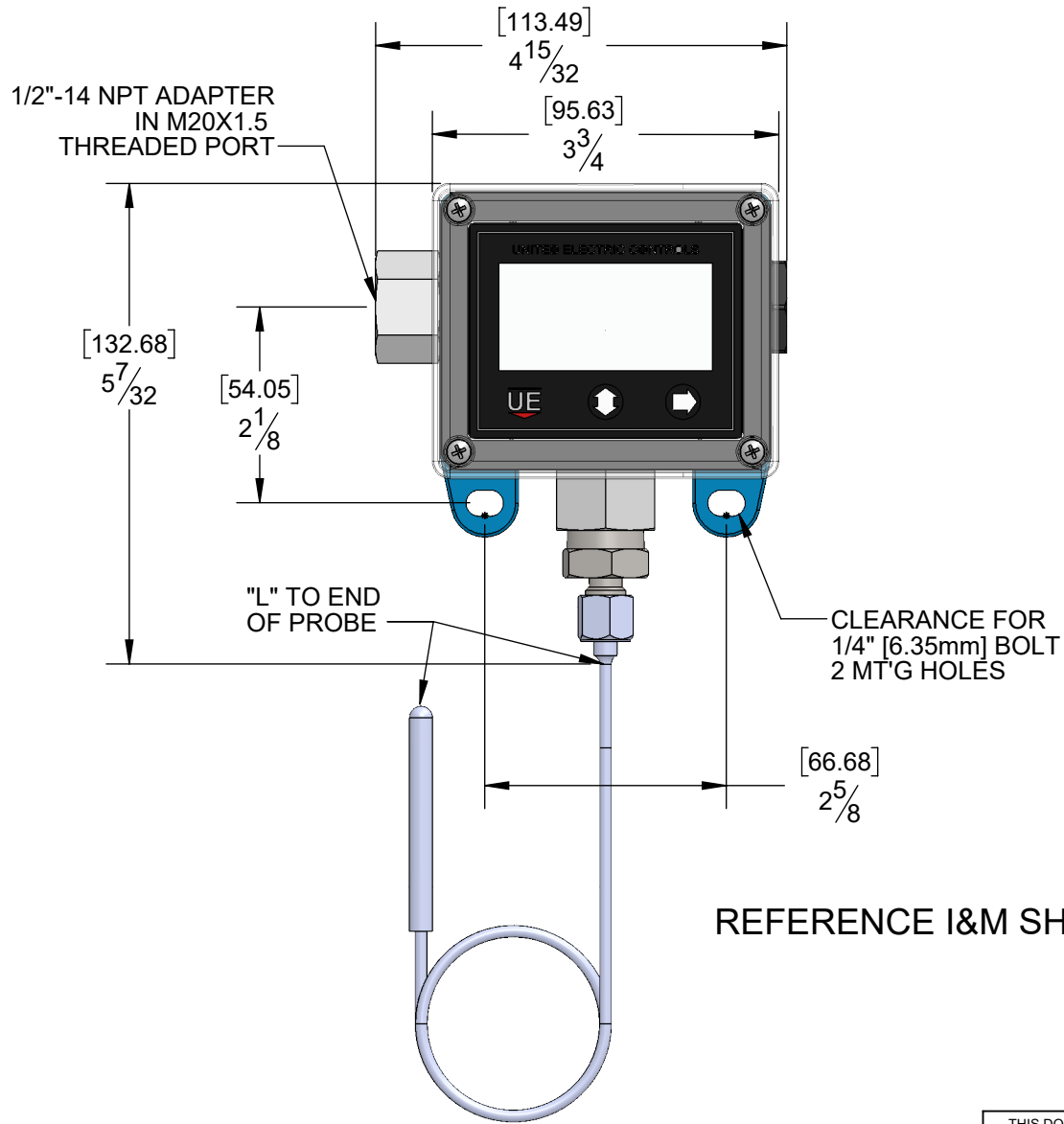
UNLESS OTHERWISE SPECIFIED
DIMENSIONS & TOLERANCES
ARE IN INCHES (MM)
INTERPRET PER ASME Y14.5M-2009
STANDARD TOLERANCES

DECIMALS	ANGLES
X ± 0.03	± 1/2°
XX ± 0.01	FRACTIONS
XXX ± 0.005	± 1/64

TITLE:
EXCELA, 1GSWLL LOCAL MOUNT TEMP

SIZE A	DRAWING NO. 14102	REV A
SCALE: 1:2		DO NOT SCALE THIS DRAWING
		SHEET 1 OF 2

REV	ECN#	DESCRIPTION	DATE	DRWN	APPD
A	E6787	FIRST ISSUE	10-30-2020	RCI	RCI
REVISION HISTORY					



REFERENCE I&M SHEET IM_1GSW

MODEL NO.	MI EXTENSION LENGTH "L"		RANGE	
	FT	m	°F	°C
TH1	6	1.83	-40 to 1000	-40 to 538
THC	1 to 30	.3 to 9.14		

THIS DOCUMENT IS PROPRIETARY PROPERTY OF UNITED ELECTRIC CONTROLS. UNAUTHORIZED USE IS STRICTLY PROHIBITED.

ORIGINAL APPROVALS	DATE	UNITED ELECTRIC CONTROLS <small>LEADERS IN SAFETY, ALARM & SHUTDOWN</small>	180 Dexter Avenue Watertown, MA. 02472 617-926-1000 www.ueonline.com
DRAWN BY: RCI	10/6/2020		
CHECKED BY: <i>SR</i>	10/30/2020		
APPROVED BY: <i>RCI</i>	10-30-2020		

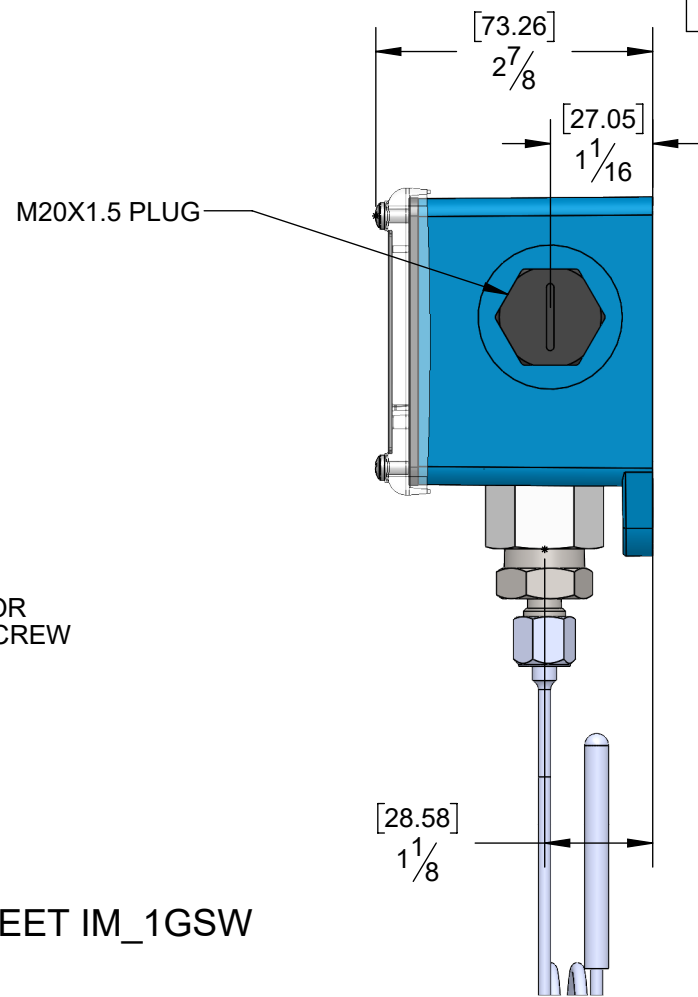
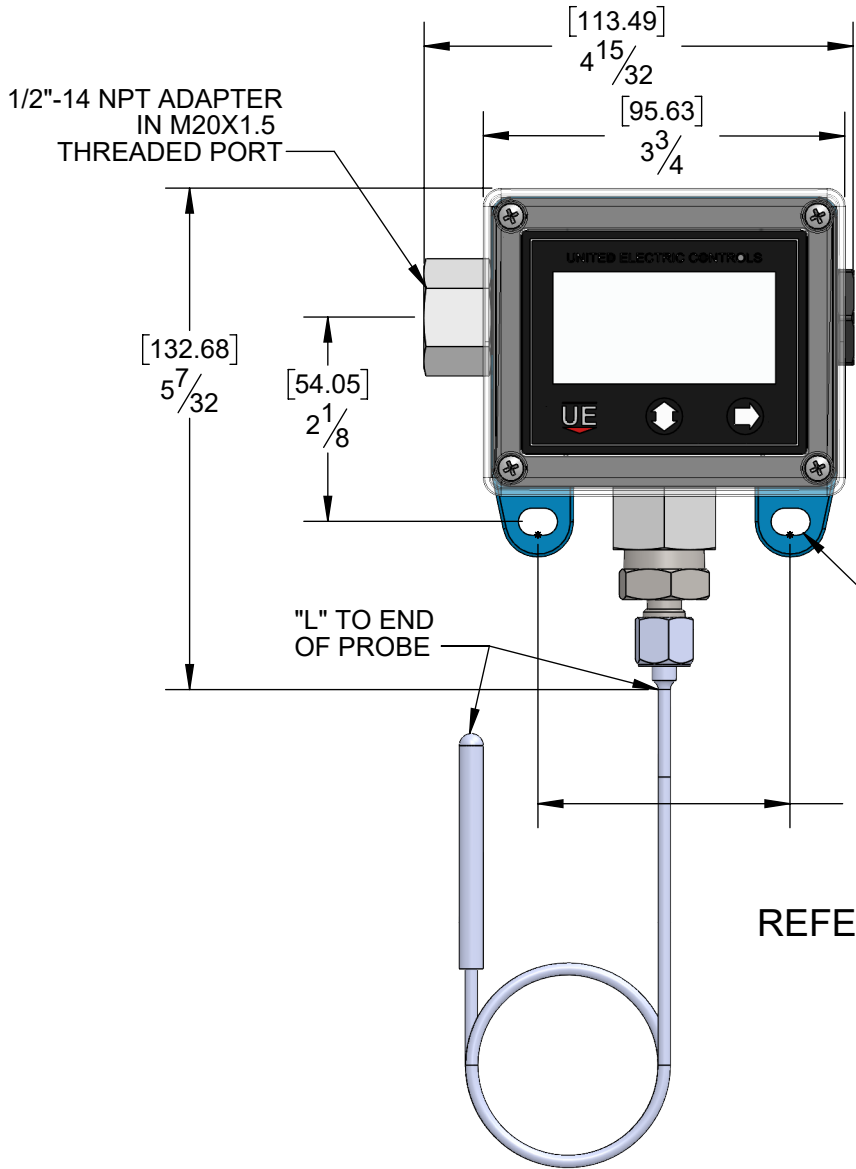
TITLE:
EXCELA, 1GSWLL REMOTE HIGH TEMP

SIZE A	DRAWING NO. 14103	REV A
------------------	-----------------------------	-----------------

SCALE: 1:2 | DO NOT SCALE THIS DRAWING | SHEET 1 OF 2

REV	ECN#	DESCRIPTION	DATE	DRWN	APPD
A	E6787	FIRST ISSUE	10-30-2020	RCI	<i>RCI</i>

REVISION HISTORY



CLEARANCE FOR
1/4" [6.35mm] SCREW
2 MT'G HOLES

REFERENCE I&M SHEET IM_1GSW

MODEL NO.	MI EXTENSION LENGTH "L"		RANGE	
	FT	m	°F	°C
TC1	6	1.83	-300 to 200	-184 to 93
TCC	1 to 30	.3 to 9.14		

THIS DOCUMENT IS PROPRIETARY PROPERTY OF UNITED ELECTRIC CONTROLS. UNAUTHORIZED USE IS STRICTLY PROHIBITED.

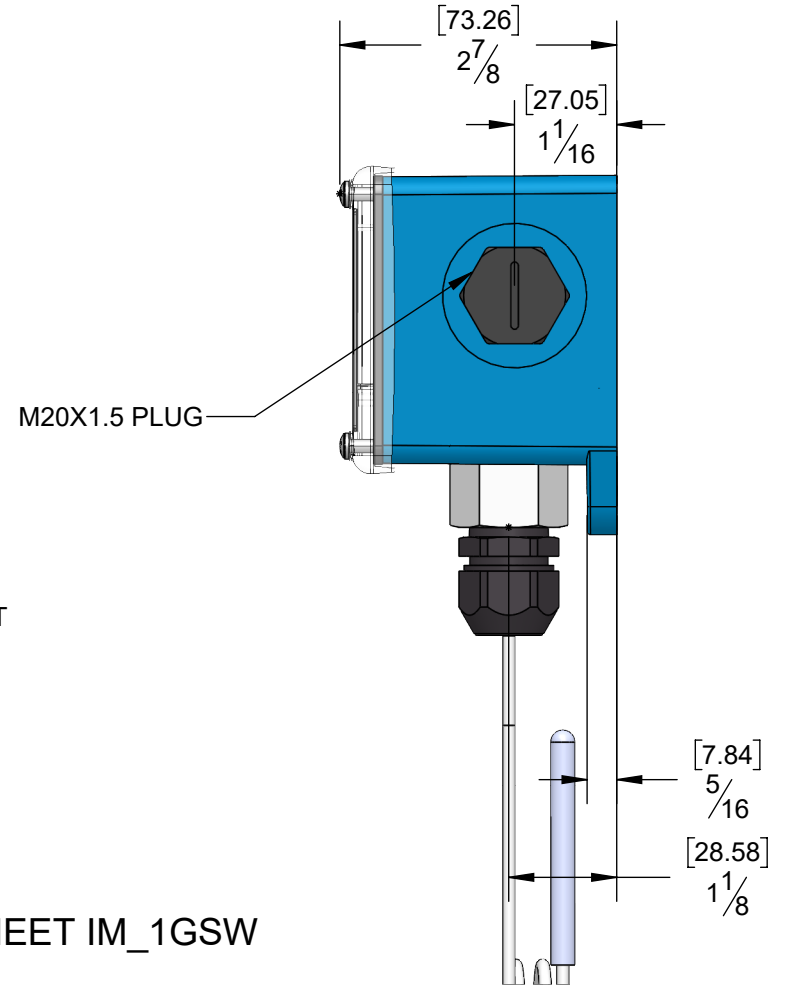
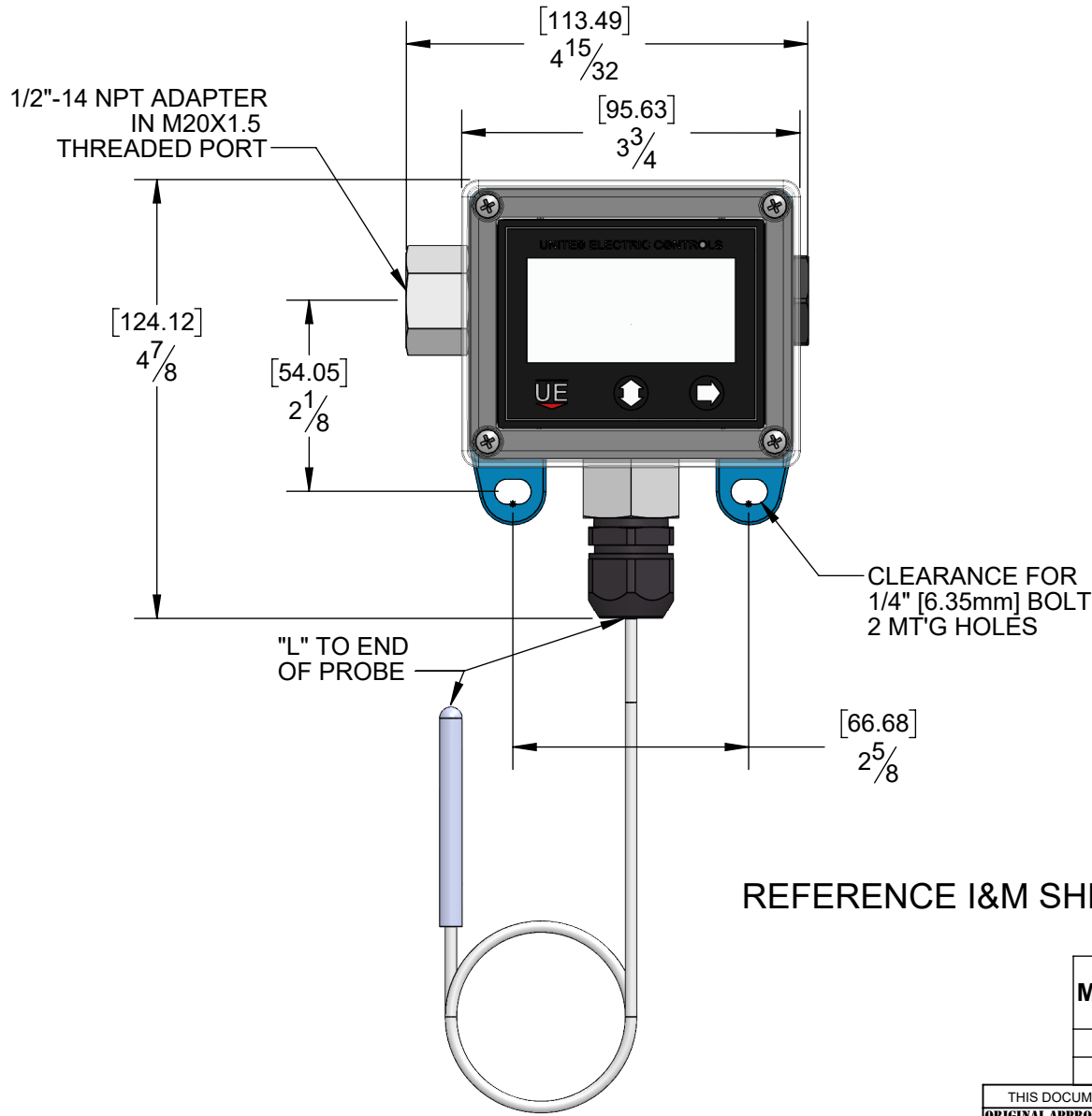
ORIGINAL APPROVALS	DATE	UNITED ELECTRIC CONTROLS <small>LEADERS IN SAFETY, ALARM & SHUTDOWN</small>	180 Dexter Avenue Watertown, MA. 02472 617-926-1000 www.ueonline.com
DRAWN BY: RCI	10/6/2020		
CHECKED BY: SR	10/30/2020		
APPROVED BY: RCI	10-30-2020		

TITLE:
EXCELA, 1GSWLL REMOTE CRYO TEMP

SIZE A	DRAWING NO. 14104	REV A
------------------	-----------------------------	-----------------

SCALE: 1:2 | DO NOT SCALE THIS DRAWING | SHEET 1 OF 2

REV	ECN#	DESCRIPTION	DATE	DRWN	APPD
A	E6787	FIRST ISSUE	10-30-2020	RCI	RCI
REVISION HISTORY					



REFERENCE I&M SHEET IM_1GSW

MODEL NO.	TEFLON EXTENSION LENGTH "L"		RANGE	
	FT	m	°F	°C
TR1	6	1.83	-40 to 450	-40 to 232
TRC	1 to 30	.3 to 9.14		

THIS DOCUMENT IS PROPRIETARY PROPERTY OF UNITED ELECTRIC CONTROLS. UNAUTHORIZED USE IS STRICTLY PROHIBITED.

ORIGINAL APPROVALS	DATE	UNITED ELECTRIC CONTROLS <small>LEADERS IN SAFETY, ALARM & SHUTDOWN</small>	180 Dexter Avenue Watertown, MA. 02472 617-926-1000 www.ueonline.com
DRAWN BY: RCI	10/6/2020		
CHECKED BY: <i>SR</i>	10/30/2020		
APPROVED BY: <i>RCI</i>	10-30-2020		
THIRD ANGLE PROJECTION		TITLE: EXCELA, 1GSWLL REMOTE LOW TEMP	
UNLESS OTHERWISE SPECIFIED DIMENSIONS & TOLERANCES ARE IN INCHES (MM) INTERPRET PER ASME Y14.5M-2009 STANDARD TOLERANCES		SIZE: A	DRAWING NO.: 14105
DECIMALS: X ± 0.03 XX ± 0.01 XXX ± 0.005	ANGLES: ± 1/2° FRACTIONS: ± 1/64	SCALE: 1:2	DO NOT SCALE THIS DRAWING
REVISION HISTORY		SHEET 1 OF 2	

REV	ECN#	DESCRIPTION	DATE	DRWN	APPD
A	E6787	FIRST ISSUE	10-30-2020	RCI	<i>RCI</i>